



INDUSTRIAL WALL AND FLOOR PAPER DISPENSER



AD60000
8427950380600

REF
EAN



AD80000
8427950380655

General description

- Industrial paper roll dispenser (max. 500 m).
- Frame in 20 mm diameter steel tube.
- Polyester paint.
- Metal saw, built-in, painted in polyester.
- Designed to be installed on the wall or floor.

Comments

- Made entirely of steel.
- High rust resistance.
- Highly-efficient cutting.
- Capacity for 1 industrial cellulose roll max. 480 mm ϕ , max. 320 mm wide, mandrel ϕ 60/ ϕ 70 mm.

Parts and materials

- Frame in 20 mm ϕ polyester-painted steel tube.
- Metal 1.5 mm thick polyester-painted saw.
- ABS/ASA plastic parts.

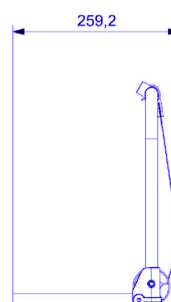
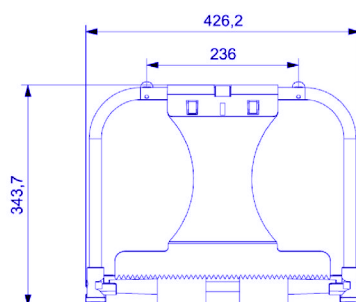
Colour/Finish

- Graphite tube and grey saw.

Dimensions (mm)

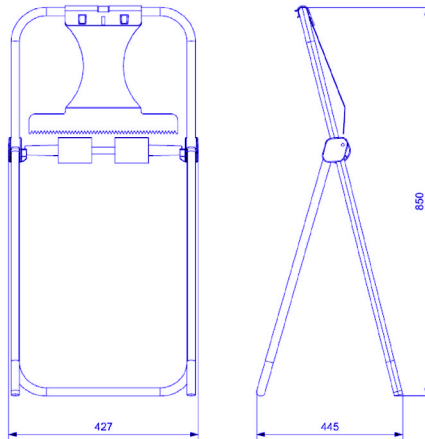
AD60000

Weight: 1.3 k



AD80000

Weight: 2.1 k



Dimensions with packaging with 5 units

AD60000			
Height	Width	Depth	Weight
310 mm	465 mm	460 mm	7.31 k

AD80000			
Height	Width	Depth	Weight
928 mm	420 mm	308 mm	11.175 k



Package

- Package with 5 units for all the references.



Installation

AD60000

- With 2 screws and 2 plugs (included)

AD80000

- On the floor with anti-slip pads.

Approved by: Quality Department

Date: 11/01/2023